



SAFE-T-STRAP™

333 Frankcom Str., Ajax, Ontario L1S 1R4 Tel.: (905) 426-3243 Fax: (905) 426-2160

www.safetystrap.com

TOLL FREE: 1-800-547-4298

(In Canada and the U.S.A.)

LOW-RISE INSTALLATION PROCEDURES

COPYRIGHT© 1994 SAFE-T-STRAP

ALL RIGHTS RESERVED. NO PART OF THIS PUBLICATION MAY BE REPRODUCED STORED IN A RETRIEVAL SYSTEM, OR TRANSMITTED IN ANY FORM OR BY ANY MEANS, ELECTRONIC, MECHANICAL, PHOTOCOPYING, RECORDING OR OTHERWISE, WITHOUT THE PRIOR WRITTEN PERMISSION OF SAFE-T-STRAP (A DIVISION OF WEB-TECH SAFETY PRODUCTS)

WARNING!!!! IMPORTANT!!!! WARNING!!!!

- FAILURE TO READ AND UNDERSTAND THESE INSTALLATION PROCEDURES MAY RESULT IN SERIOUS INJURY OR DEATH.
- MAKE CERTAIN THAT THE SAFE-T-STRAP HAS NOT BEEN DAMAGED IN SHIPMENT PRIOR TO USE.
- THIS SAFE-T-STRAP IS AN ENGINEERED PRODUCT. IT MUST BE RETURNED TO THE ORIGINAL SUPPLIER FOR REPAIR (IF REQUIRED)
- SYNTHETIC STRAPS SHOULD NOT BE USED IN EXCESS OF 200 DEGREES FAHRENHEIT. AVOID DAMAGING FROM WELDING SPARKS AND CORROSIVE CHEMICALS.
- CAREFULLY READ AND FOLLOW ALL INSTALLATION INSTRUCTIONS AND ALL SPECIFICATIONS FOR USE OF THIS PRODUCT.
- SAFE-T-STRAP IS A NON-REUSABLE FALL-ARREST SYSTEM AND WE ASSUME NO LIABILITY CONNECTED WITH ITS RE-USE
- THE USER IS REMINDED BEFORE A SAFE-T-STRAP IS ATTACHED TO ANY MEMBER OF A PROJECT, THE MEMBER SHALL BE SO FRAMED, FASTENED, TIED AND BRACED SO AS TO PROVIDE THE REQUIRED STRENGTH AND RIGIDITY
- SAFE-T-STRAP MUST BE INSTALLED AS REQUIRED BY THE MANUFACTURER'S PROCEDURE UNDER THE SUPERVISION OF A COMPETENT PERSON TRAINED IN IT'S PROPER INSTALLATION
- THE SAFE-T-STRAP IS A COMPONENT OF A FALL-ARREST SYSTEM. LOCATION OF INDIVIDUAL STRAPS WILL VARY AND SPECIFIC PROCEDURES FOR INSTALLATION WILL BE REQUIRED TO ENSURE ADEQUATE FALL PROTECTION FOR WORKERS.

CAUTION: USER IS REMINDED THAT A LANYARD MUST BE CONNECTED BETWEEN THE WORKERS SAFETY BELT AND THE SAFE-T-STRAP

INSTALLATION INSTRUCTIONS

SAFE-T-STRAP CONSISTS OF A TWO INCH WIDE WEBBING, WITH A 2 ½" D-RING ATTACHED AT ONE END. THE OTHER END OF THE STRAP IS FOLDED AND STITCHED IN PLACE (ALL NAILS USED TO SECURE THE SAFE-T-STRAP MUST BE HAMMERED THROUGH THE FOLDED STITCHED AREA). ALSO APPLIES TO THE "NO D-RING" MODEL.

SAFE-T-STRAP IS TO BE INSTALLED AS FOLLOWS:

THE SAFE-T-STRAP MUST BE ATTACHED AS SHOWN USING STANDARD 3" ARDOX NAILS AND PROVIDES AN ANCHOR POINT WITH A TESTED FAILURE STRENGTH PROVIDED THE FOLLOWING STEPS ARE ADHERED TO. **SEE FIGURE 1**

USING TWO ARDOX NAILS THE FOLDED STITCHED END OF THE SAFE-T-STRAP IS ATTACHED TO THE TOP PLATE OF THE WALL OR TRUSS. (NOTE: THESE NAILS MUST BE HAMMERED IN PLACE SECURELY). THE SAFE-T-STRAP IS THEN WRAPPED ONCE AROUND THE SINGLE TWO-BY-FOUR (OR DOUBLE TWO-BY-SIX) AND A THIRD NAIL IS HAMMERED THROUGH BOTH STRAP SURFACES. **SEE FIGURE 2**

THE SAME PROCEDURE APPLIES TO THE ATTACHMENT OF THE SAFE-T-STRAP TO THE ROOF TRUSS. FIRST TWO ARDOX NAILS ARE INSERTED IN THE FOLDED STITCHED END (NOTE: IN THE CASE OF A TWO-BY-FOUR ROOF TRUSS, THE DRIVEN NAILS MUST BE HAMMERED OVER FLAT ON THE OPPOSITE SIDE OF THE STRAP BEFORE PROCEEDING WITH STEP TWO). THEN THE REMAINING LENGTH OF THE STRAP IS WRAPPED AROUND THE TRUSS TWICE FOLDED OVER AGAIN **SEE FIGURE 3.**

NOTE: It is recommended by The Safe-T-Strap Company that: before the truss is raised, fastened and braced in place, a life-line of sufficient length is attached to the Safe-T-Strap to ensure safe access to the roof.

WHEN INSTALLING SAFE-T-STRAP ON FLOORS, A THREE INCH ARDOX NAIL MUST BE INSERTED THROUGH THE STITCHED LOOPED END OPPOSITE THE D-RING. STRAPS SHOULD BE PLACED A MEASURED DISTANCE FROM THE PERIMETER OF THE FLOOR INCLUDING THE LENGTH OF THE LANYARD USED TO ENSURE ADEQUATE TRAVEL RESTRAINT. IT IS A REQUIREMENT OF THE ENGINEERED SYSTEM THAT FOUR (4) OF THE DOUBLE-HEADED NAILS SUPPLIED TO SECURE THE STRAP TO THE FLOOR, ARE NAILED INTO A FLOOR JOIST BELOW THE PLYWOOD FLOOR. **SEE FIGURE 5**

THE PLACEMENT OF THE STRAPS ON BOTH THE TOP PLACE OF THE SECOND STOREY WALL, THE ROOF TRUSSES AND THE FLOOR WILL DEPEND ON THE STYLE OF THE HOUSE. **THE RECOMMENDED PLACEMENT IS APPROXIMATELY EVERY 6 FEET.** ON COMPLETION OF INSTALLATION, SAFE-T-STRAPS SHOULD HANG AT LEAST 12" INCHES FROM THE PEAK OF THE ROOF. **SEE FIGURE 5.** SAFE-T-STRAP IS AN ENGINEERED PRODUCT, ONCE INSTALLED SAFE-T-STRAP IS NOT TO BE RE-USED.

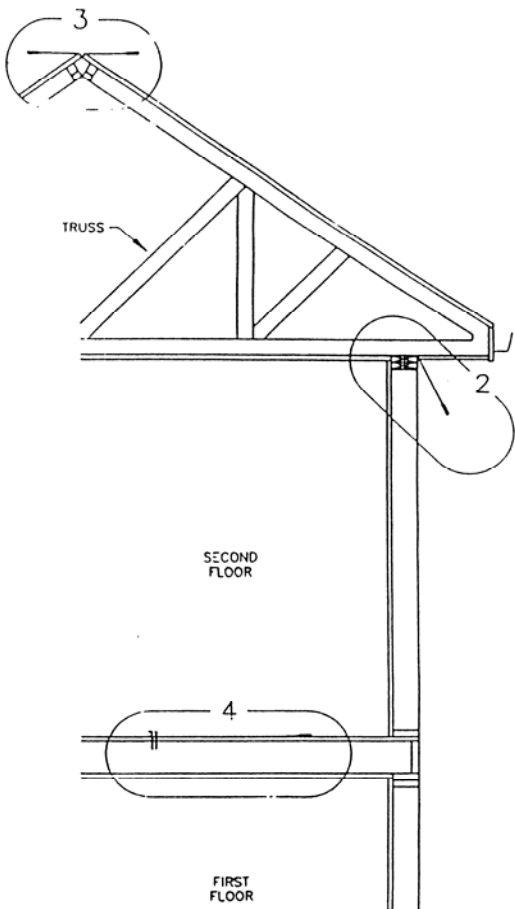


FIGURE 1

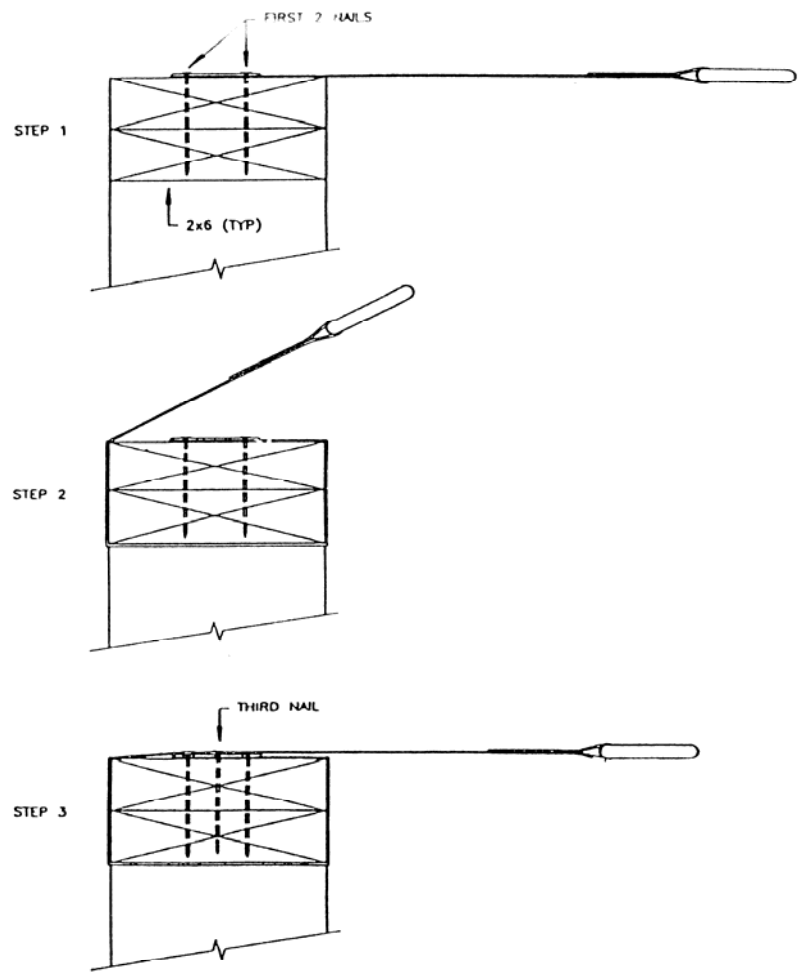


FIGURE 2

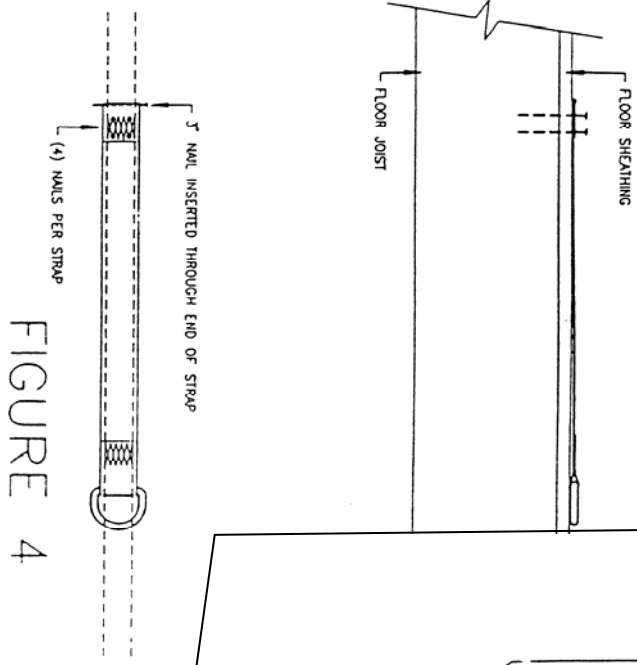


FIGURE 3

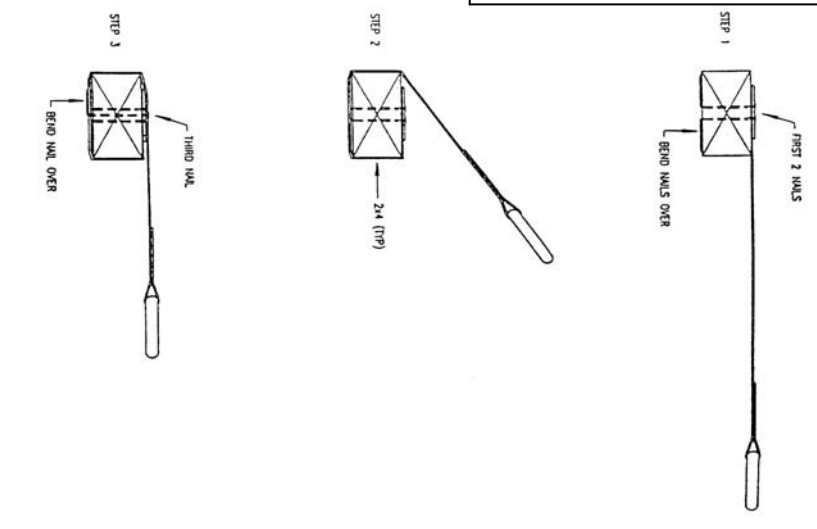


FIGURE 4

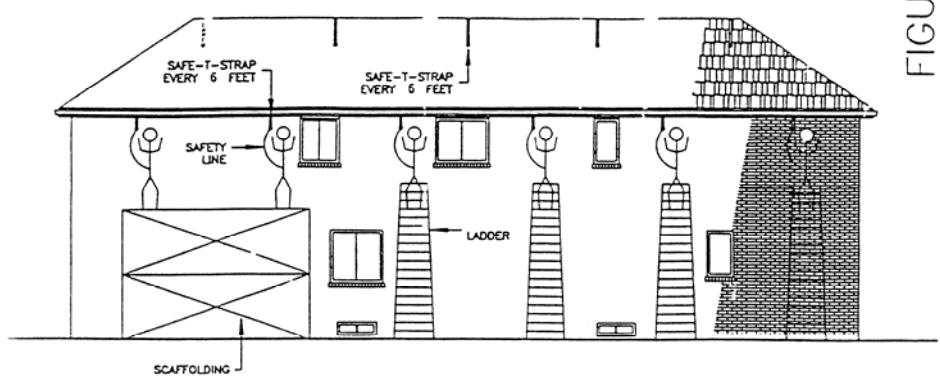


FIGURE 5